

SCC Creative Services Division

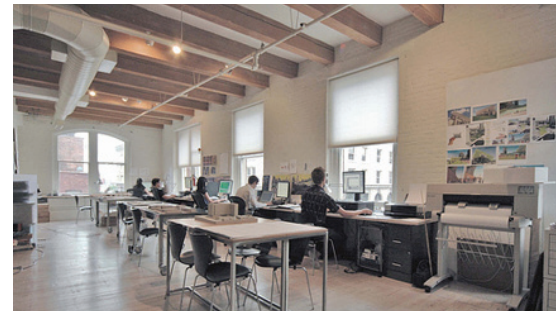
SCC Creative Services offers complete conceptual design, graphic, structural, web, print, engineering and prototyping services. Our experienced and highly talented team of industry and product experts will identify ways to communicate your product to your target customer.

SCC Creative Services can assist at any stage of development. Whether your product requires fine tuning of existing artwork before production begins or starting from a brand new concept, SCC Creative Services will help bring your products to market quickly with maximum impact.

Conceptual Design

Our Creative Representative will work with your product development and marketing teams to sketch out graphic options, packaging structures and display formats. Then our creative professional will render the concepts into 3D color renderings to bring each concept to a desired expectation.

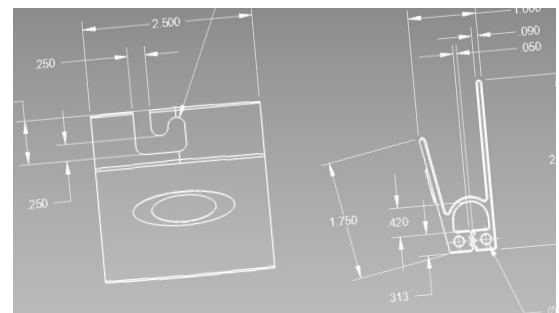
Animation can be added to moving parts to demonstrate product use and functionality.



Print Literature / Sales & Marketing Sheets

Along with 3D renderings and graphic design work, our creative team will form sales sheets describing your company's product offering complete with images and specification data such as weights, cubes and price points.

Our teams also have the capability to provide 3D graphic layouts of container and truckload configurations to aid in freight planning and cost estimations.



Prototypes

Our structural engineers and fabricators will create a physical representation for approval. Whether it be plastic molded parts, paperboard & corrugated packaging or a high-end retail store fixture, our Creative Services Division will handle each step of the process.

Our use of rapid prototyping, digital and ink-jet systems, label templates, CAD, laser and water jet cutting systems allow us to be both cost-effective and efficient in providing prototypes that not only represent the actual product well, but also assist in bringing them to market quickly.

